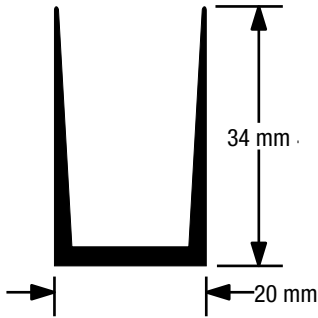




COOLROOM SEALS

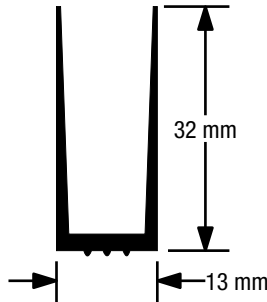
product data sheet

CRS20B6.5



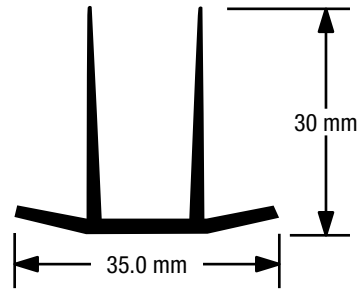
ACTUAL SIZE
6.5m lengths

CRS13B25



ACTUAL SIZE
25m lengths

CRS35B6.0

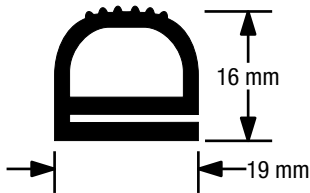


ACTUAL SIZE
6.0m lengths

Derby Rubber "two fingered" cool room seals have a strong resistance to a wide range of fats and oils found in the agricultural and food industries. Seals are manufactured from Derby Rubber's compounded low friction material.

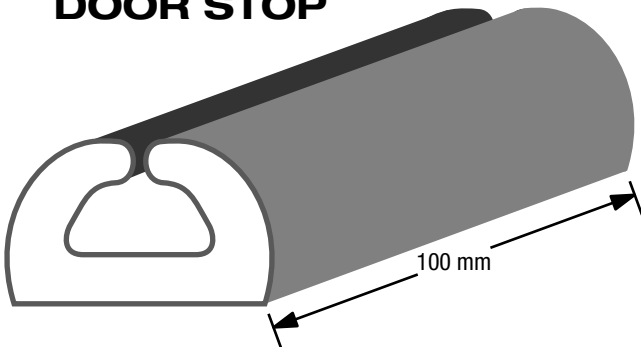
All seals are available in black and grey (non-marking compound).

P65-11198



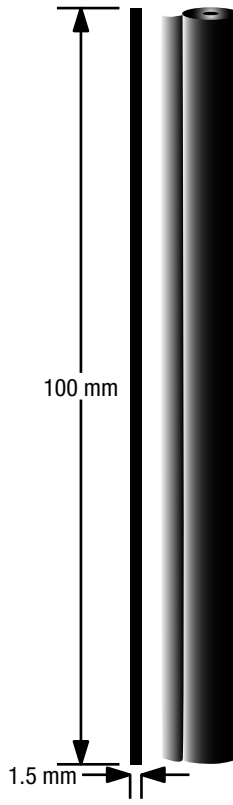
ACTUAL SIZE
6.5m lengths

DOOR STOP



HALF ACTUAL SIZE

DOOR WIPER



ACTUAL SIZE

Uses include bottom of hinged doors and folded in half for greater sealing around corners and uneven areas.

Available in rolled 30m lengths.



84 Derby Street
Silverwater NSW 2128
AUSTRALIA

v.02-11-3

tel. +61 2 9648 4911
fax. +61 2 9648 4783

www.derbyrubber.com.au