

Marine Fender

Product Data Sheet



The Derby marine fender range is designed and manufactured in Australia. It is long lasting and provides superior protection between vessels and fixed and floating structures. Fenders can be attached to the face of a wharf, pontoon or vessel by mounting bars, bolts, chains, ropes or brackets.

The Derby proprietary compound has been developed for both salt and fresh water applications and exhibits these properties.

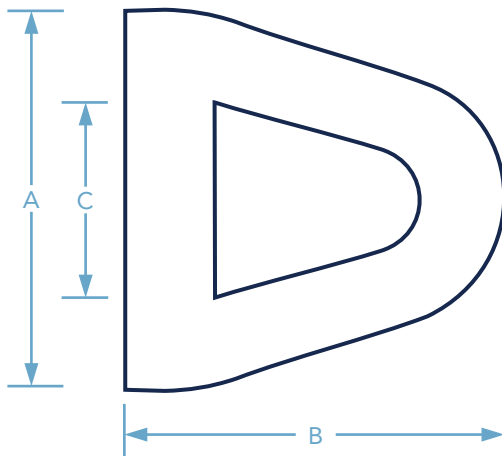
All products are supplied in up to 6m lengths, Derby Rubber can also cut and drill to specifications. Commercial tolerance of ±3% apply to all dimensions.

	Shear Resistant	Cushioning	UV Protection	Non-marking	Non-conductive (prevents electrolysis)
WHITE	HIGH	HIGH	HIGH	✓	✓
BLACK	HIGH	HIGH	HIGH	—	—

D Fender

Code	A(mm)	B(mm)	C(mm)
------	-------	-------	-------

DDW50 Actual Size

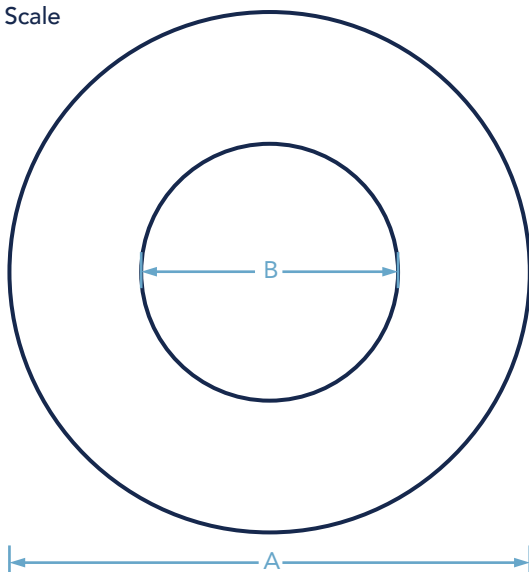


DDW50	50	50	25
DDW75	75	70	45
DDW100	100	95	50
DDW150	150	150	80
DDW200	200	150	130

Round Fender

Code	A(mm)	B(mm)
------	-------	-------

Not to Scale



	Made to order up to and including:	
DRFW100	100	50
DRFW150	150	75
DRFW200	200	100
DRFW300	300	150

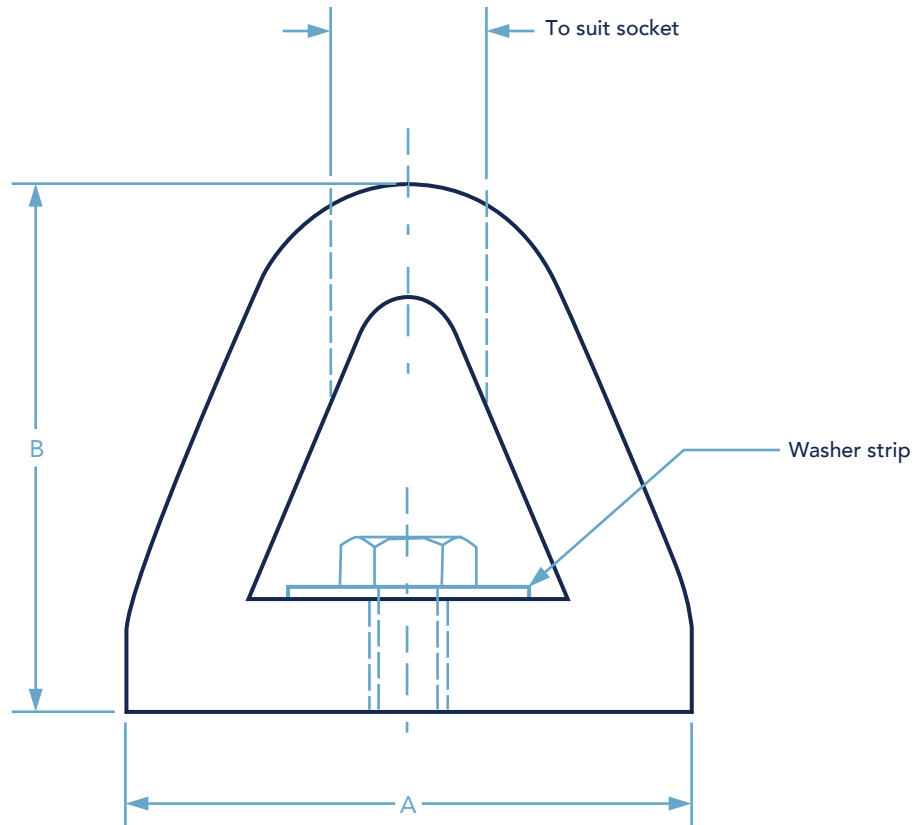
Marine Fender

Product Data Sheet



Fixing Details for Fendering

DD*75 Actual Size



Code	A (mm)	B (mm)	Bolt Size	#Washer Strip (width x thickness x bolt spacing)	Wall Section
DD*50	50	50	M8	20 x 1.6 x 200	9.5
DD*75	75	70	M10	25 x 1.6 x 200	11.0
DD*100	100	95	M12	30 x 3.0 x 250	15.0
DD*200	200	150	M20	40 x 3.0 x 300	30.0
DD*300	300	250	M24	50 x 5.0 x 400	50.0

*Denotes colour (W=White; G=Grey; B=Black) i.e. DDW75
 # Strip manufactured from st/steel or H.D.G m/steel.
 All dimensions in millimetres.

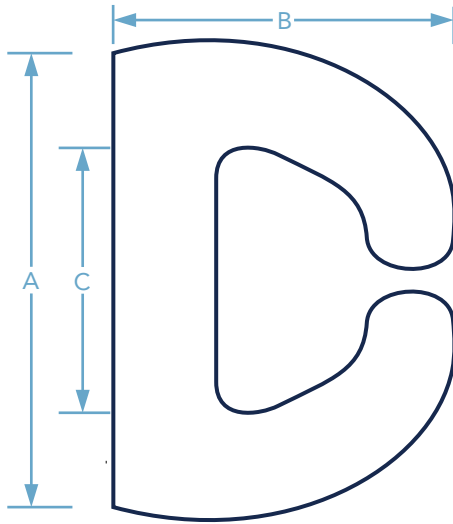
Marine Fender

Product Data Sheet



Open Fender	Code	A(mm)	B(mm)	C(mm)
-------------	------	-------	-------	-------

DOF60 Actual Size

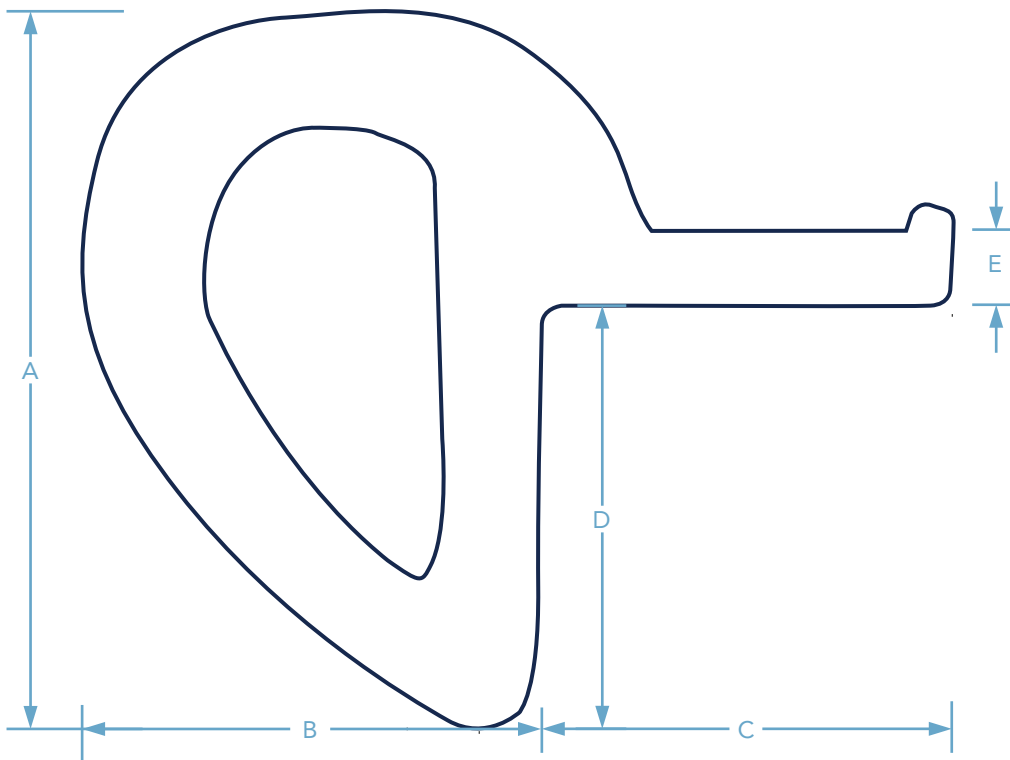


DOF60	60	50	35
DOF80	80	70	50
DOF100	100	75	55

Edge Fender	Code	A(mm)	B(mm)	C(mm)	D(mm)	E(mm)
-------------	------	-------	-------	-------	-------	-------

DEF90 Actual Size

DEF90	90	55	55	55	10
-------	----	----	----	----	----



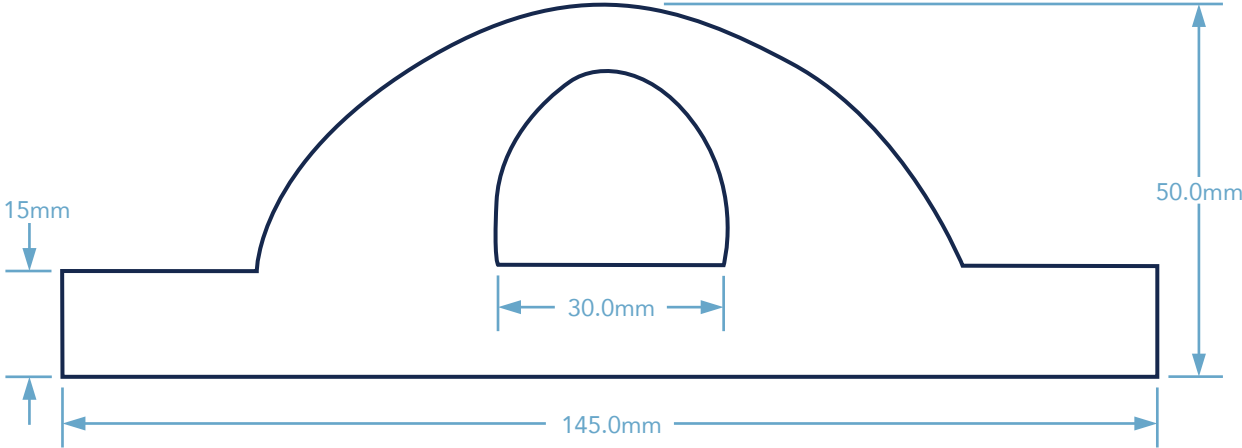
Marine Fender

Product Data Sheet



Marina Fender

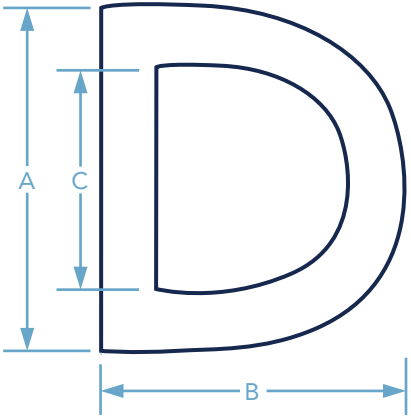
Not to Scale



Dinghy Fender

DDF45 Actual Size

Code	A(mm)	B(mm)	C(mm)
DDF25	25	20	15
DDF45	45	40	30



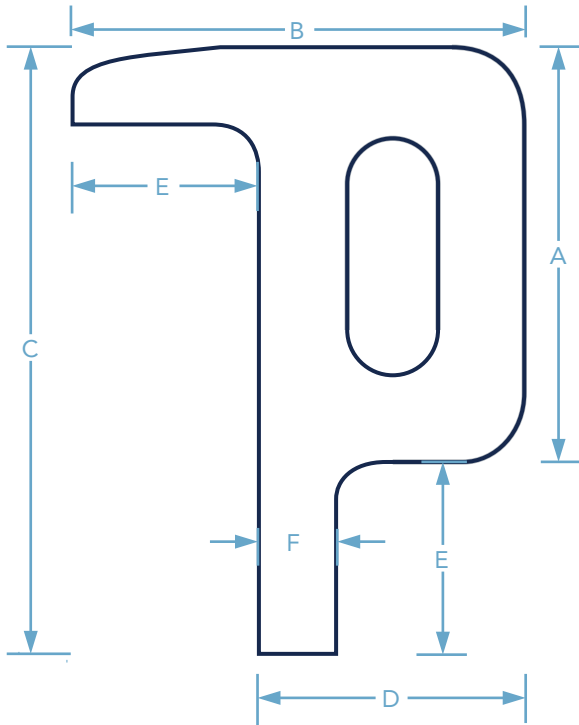
Marine Fender

Product Data Sheet



Pontoon Fender

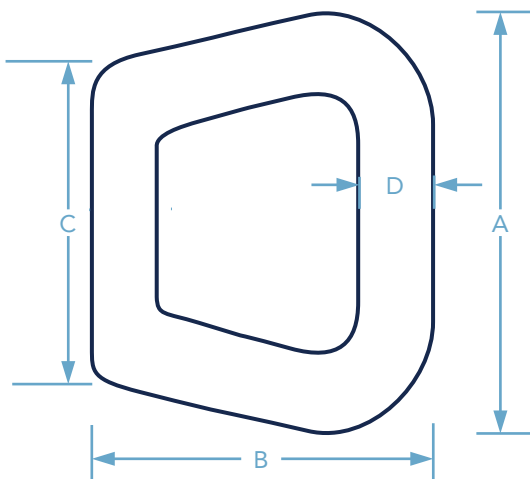
DPF55 Actual Size



Code	A(mm)	B(mm)	C(mm)	D(mm)	E(mm)	F(mm)
DPF35	35	60	60	35	25	10
DPF55	55	60	80	35	25	10
DPF75	75	60	100	35	25	10

Workboat Fender

DWF55 Actual Size



Code	A(mm)	B(mm)	C(mm)	D(mm)
DWF55	55	45	40	10
DWF80	80	70	50	15
DWF110	110	85	65	20