

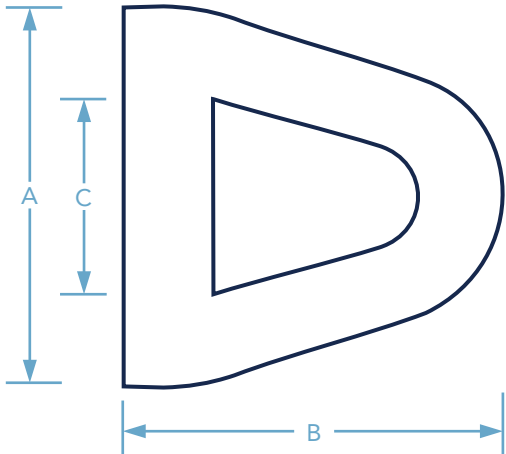
Heavy Transport Accessories



These products are made from Derby Rubber's propriety compound. Designed for high shear and impact resistance. Commercial tolerance of $\pm 3\%$ apply to all dimensions.

D Fender

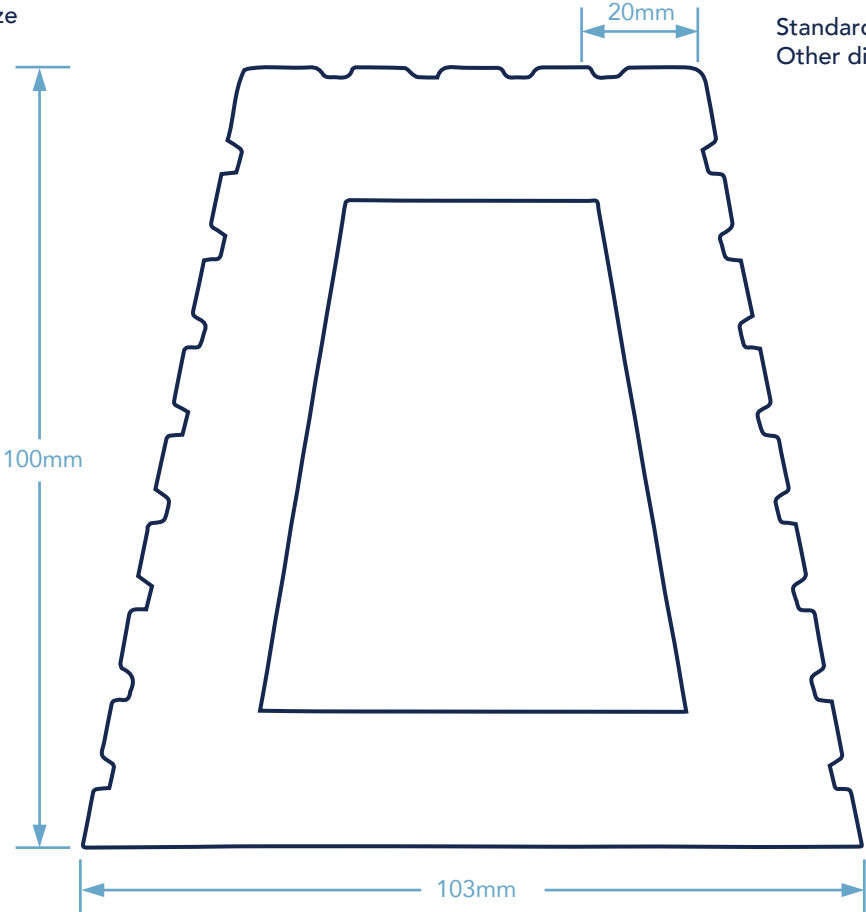
DDB50 Actual Size



Code	A(mm)	B(mm)	C(mm)
DDB50	50	50	25
DDB75	75	70	45
DDB100	100	100	50
DDB150	150	150	80
DDB200	200	150	130

Ribbed D Fender

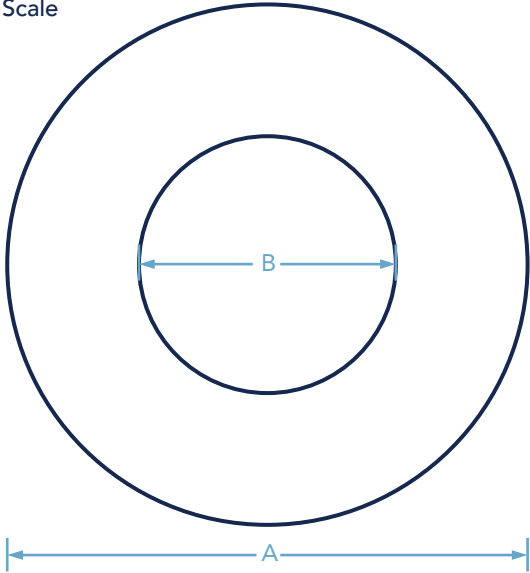
Actual Size



Standard lengths are 1, 2, 3 and 6 metres. Other dimensions available on request.

Round Fender

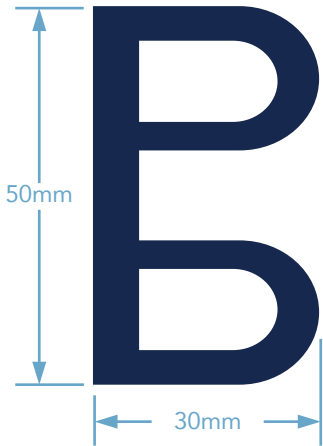
Not to Scale



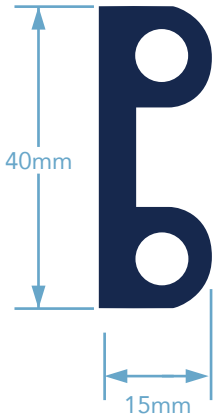
Code	A(mm)	B(mm)
DRFB100	100	50
DRFB150	150	75
DRFB200	200	100
DRFB300	300	150

Made to order up to and including:

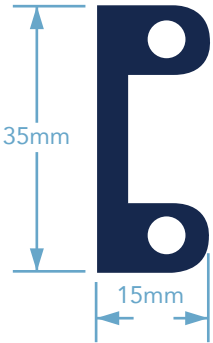
Waste Compactor Seals



B Seal
Actual size



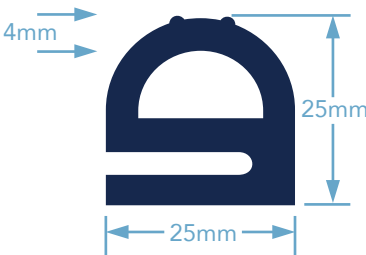
Mini B Seal
Actual size



Dump Door Seal
Actual size

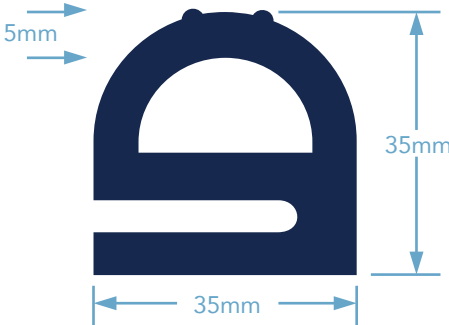
Hatch Series Waste Compactor Seals

Compounded from Neoprene rubber giving excellent resistance to a wide range of chemicals.



Mini Hatch

Actual size
3.3, 4.0 and 6.0m
lengths



Hatch

Actual size
3.3, 4.0 and 6.0m
lengths